

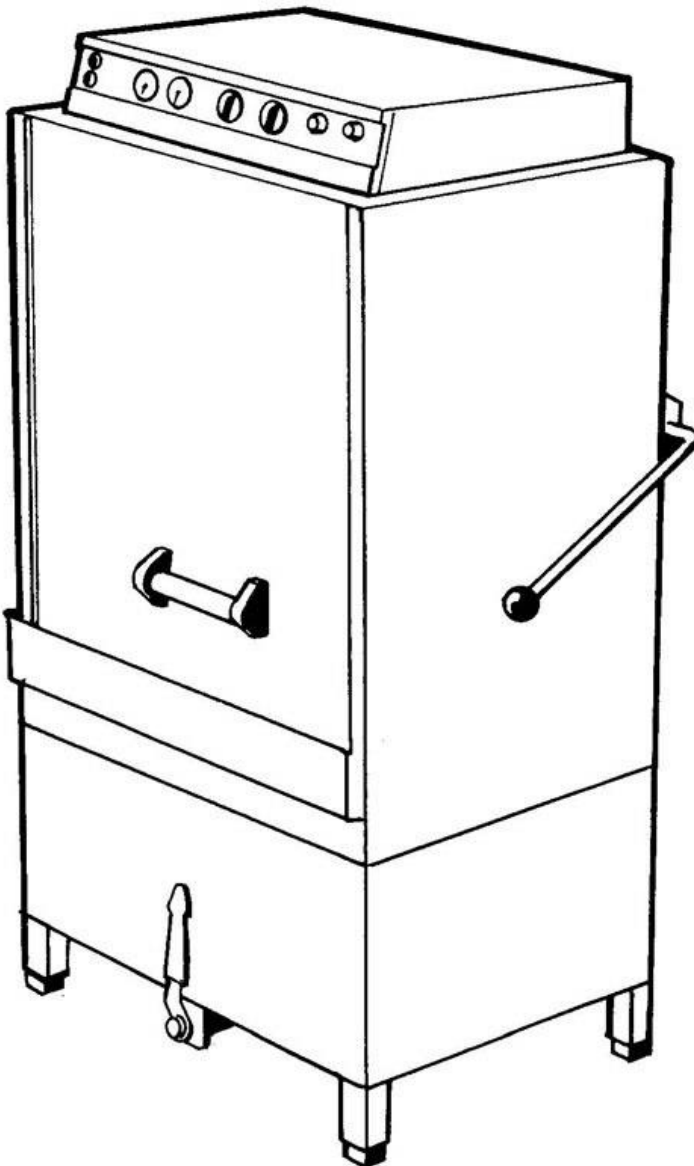
winterhalter

Spare Parts

GR 1320

Revised 02/05

Part no. 89001398



Summary

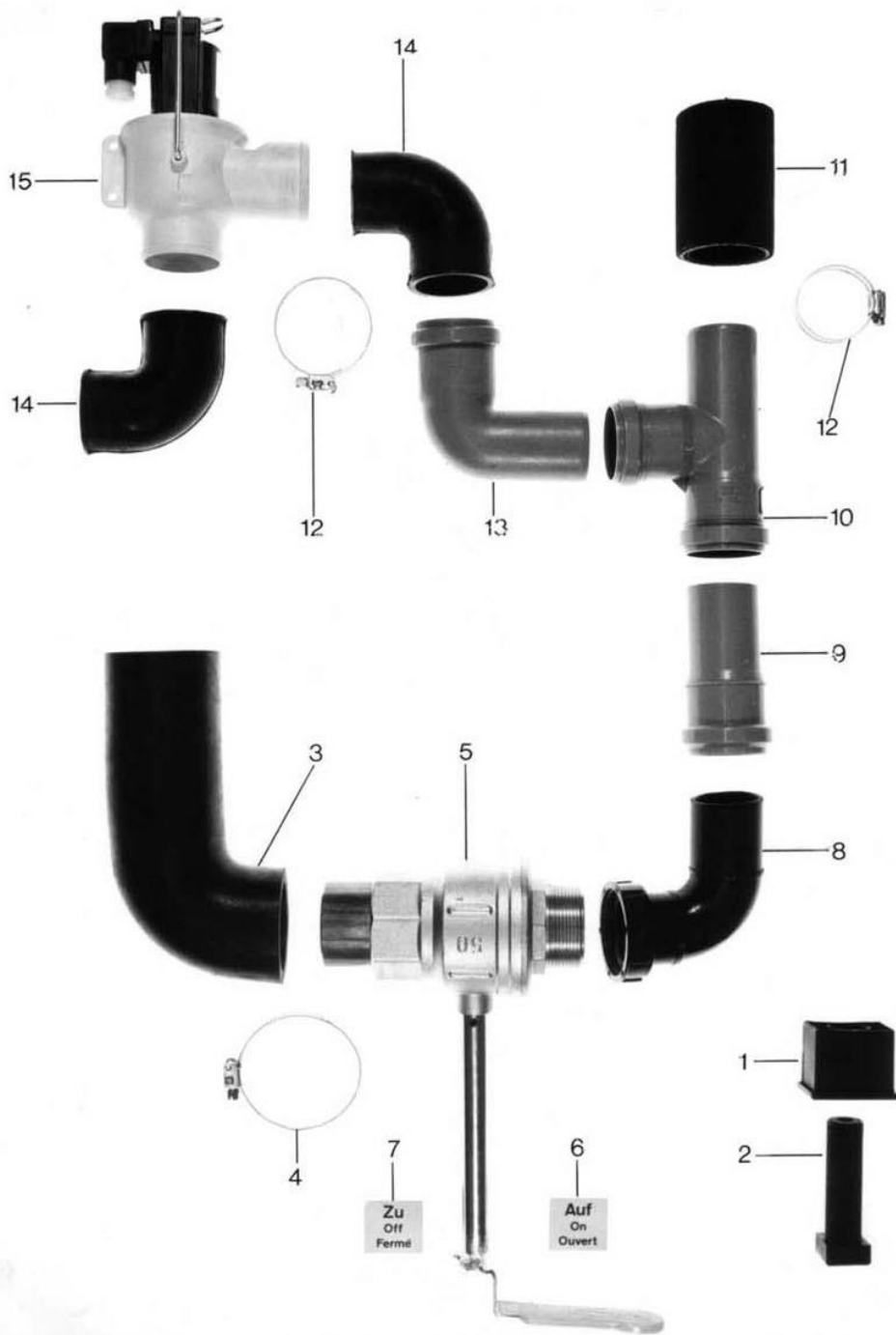
Base frame and water drain	Page 1 and 2
Tank heating, air chamber and filter	Page 3 and 4
Mediamat and overflow	Page 5 and 6
Water supply	Page 7 and 8
Wash system bottom and reversing drive	Page 9 and 10
Wash system top with reversing lever	Page 11 and 12
Rinse system	Page 13 and 14
Lifting door	Page 15 and 16
Electrical parts	Page 17 and 18

Racks and accessories see separate list.

Parts that have the note " Part made to order only!" are not in stock. This parts are made specially for your order and have a delivery time. They are not returnable.

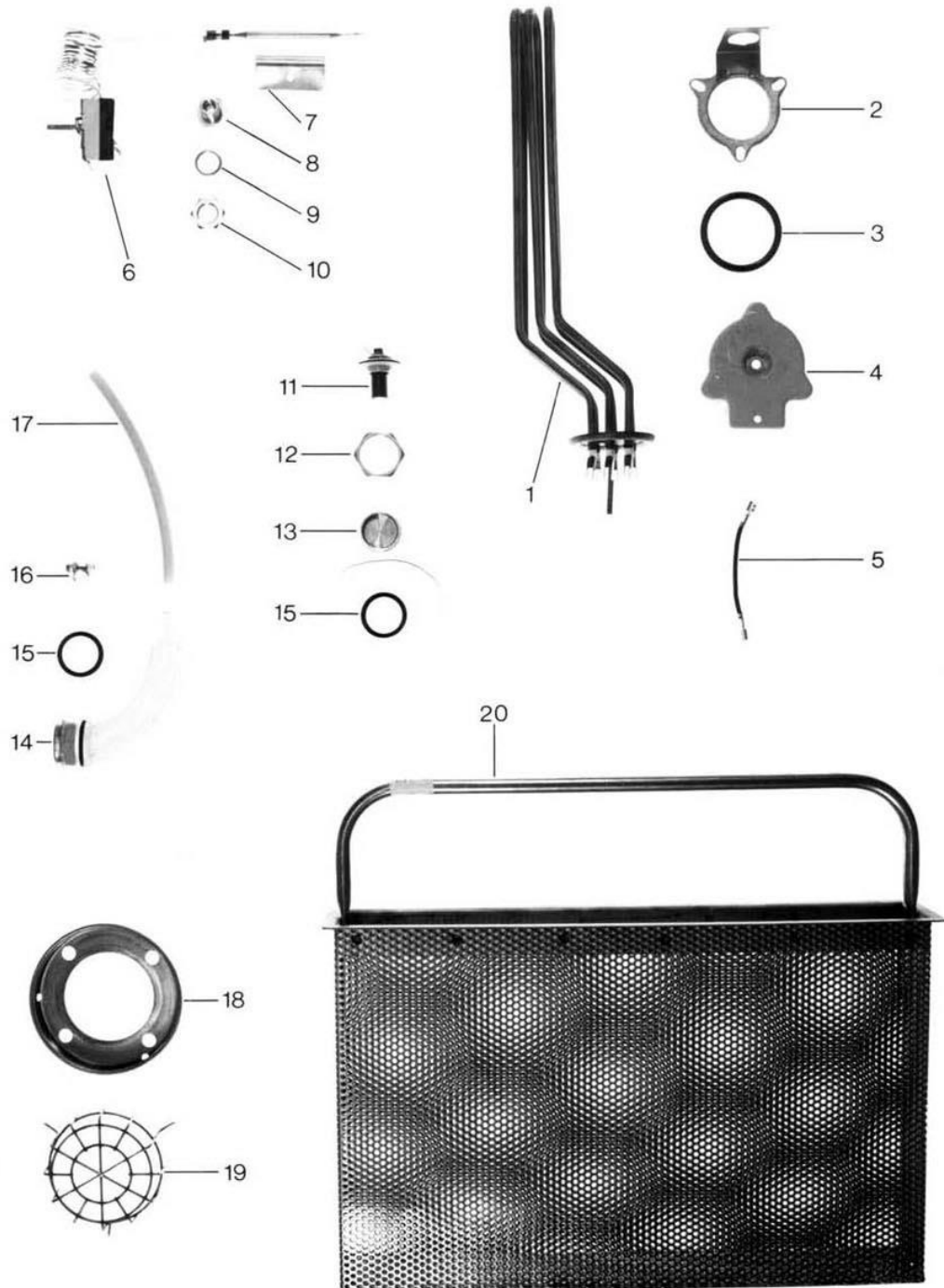
GR 1320

Untergestell und Wasserablauf Base frame and water drain Châssis et écoulement d'eau



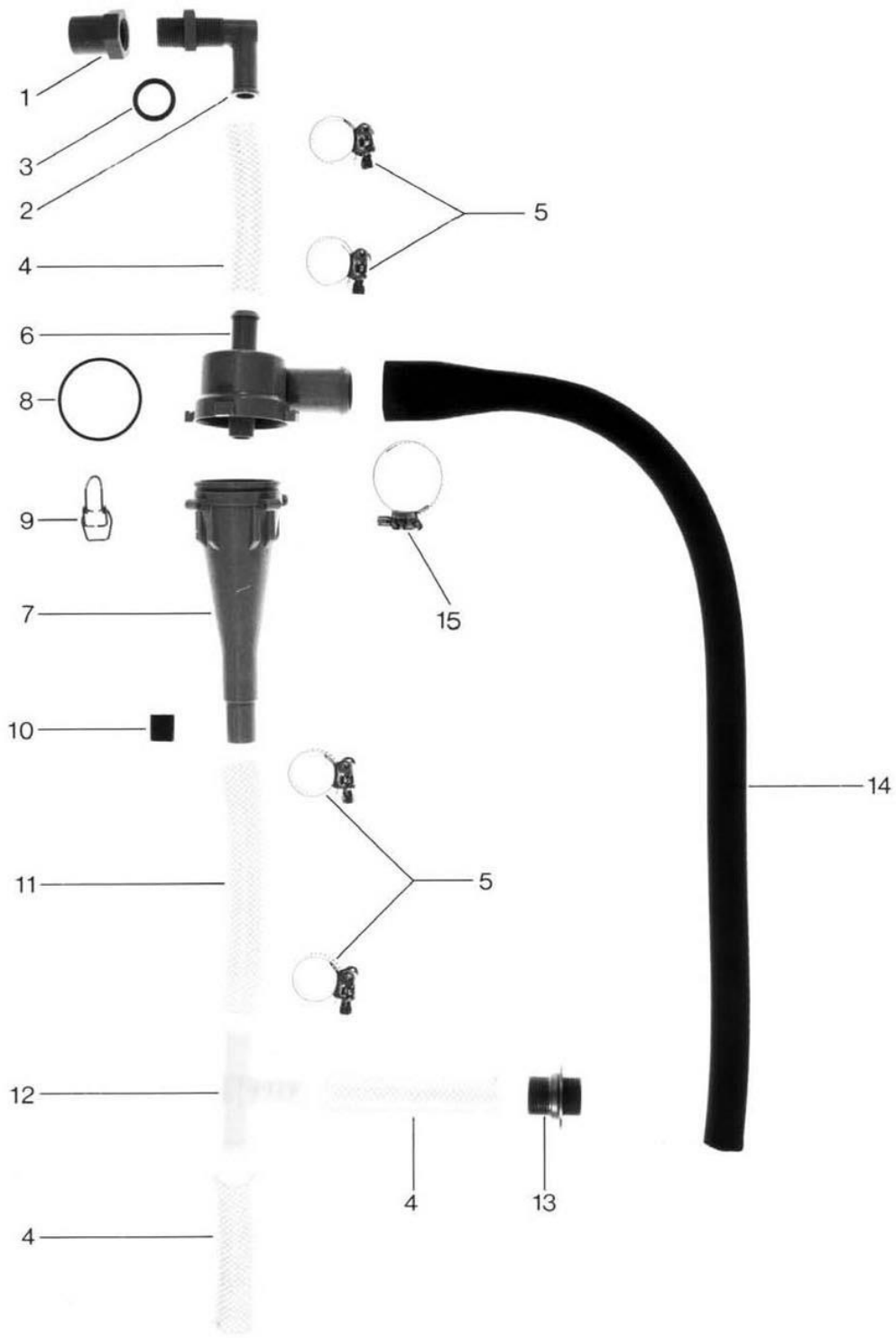
GR 1320

Tankheizung, Windkessel und Sieb
Tank heating, air chamber and sieve
Chauffage cuve, chambre d'air et tamis



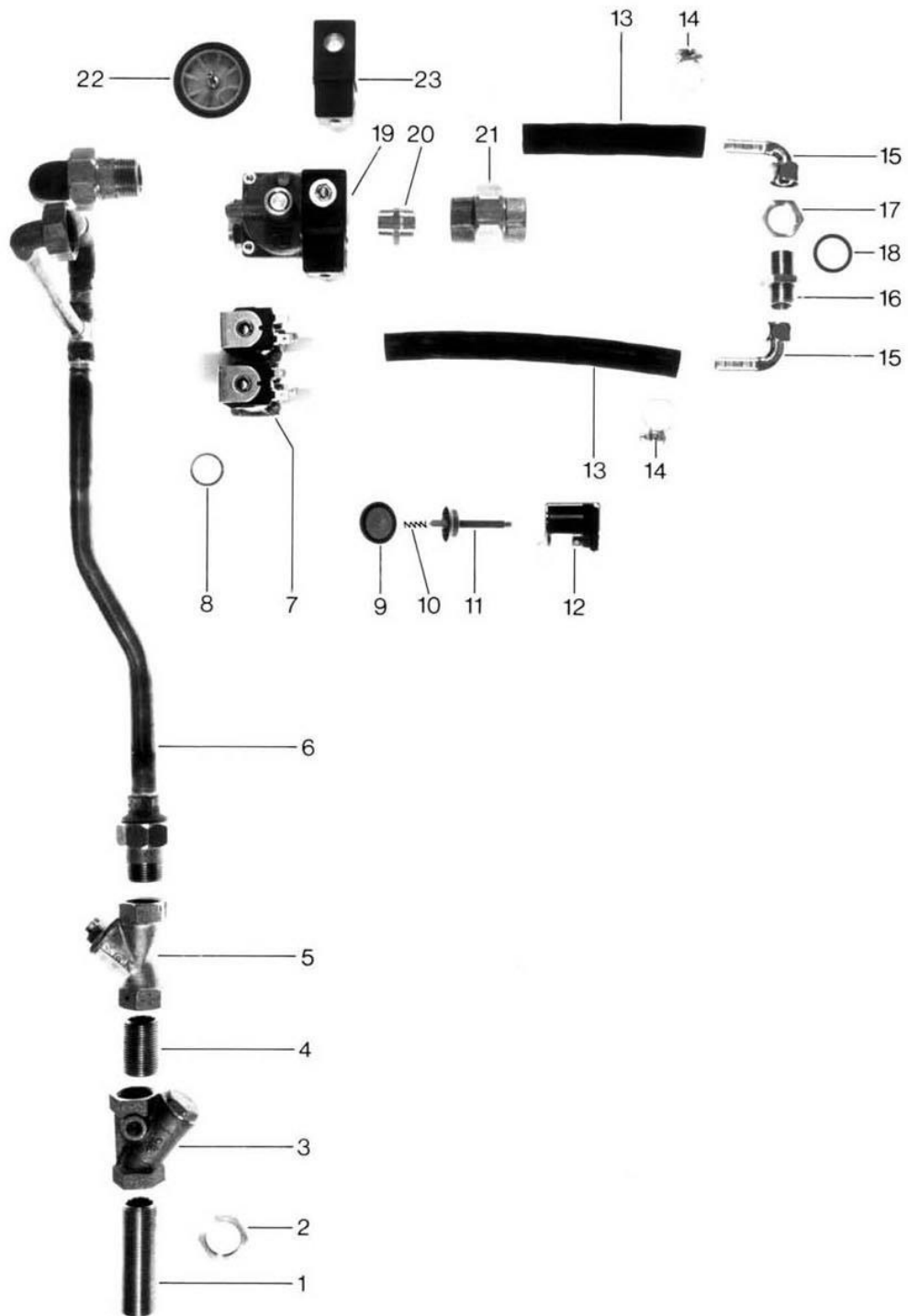
GR 1320

Mediamat und Überlauf Mediamat and overflow Médiamat et trop-plein



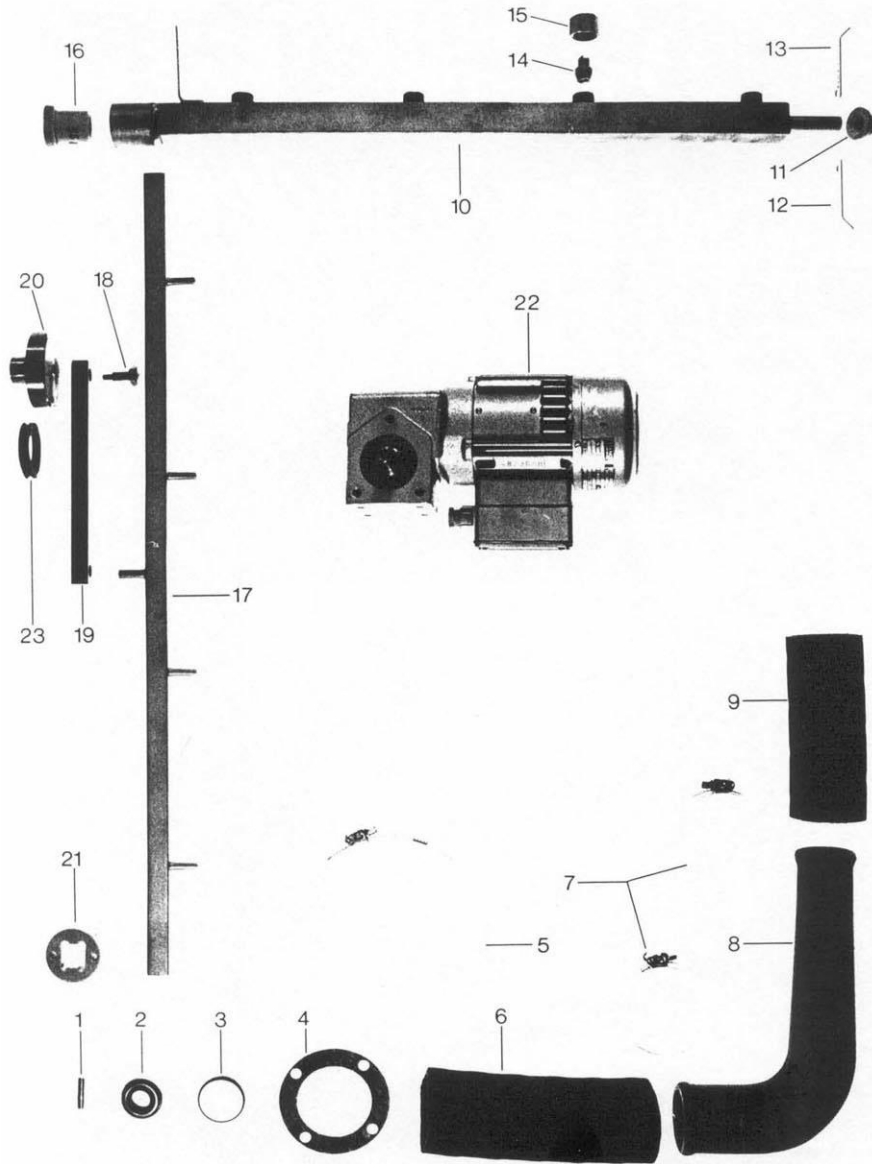
GR 1320

Wasserzulauf und Wassereinlauf Water supply and water inlet Alimentation d'eau et arrivée d'eau



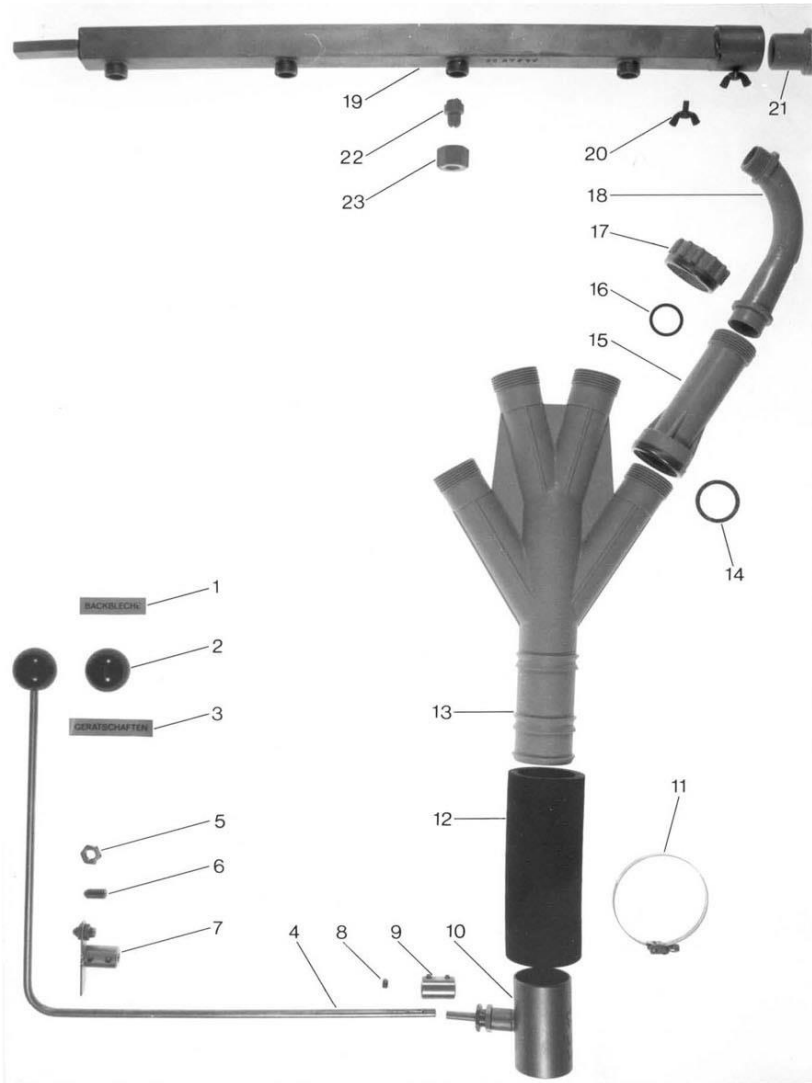
GR 1320

Waschsystem unten mit Reversierantrieb
Bottom wash system with reversible drive
Système de lavage inférieur avec commande réversible



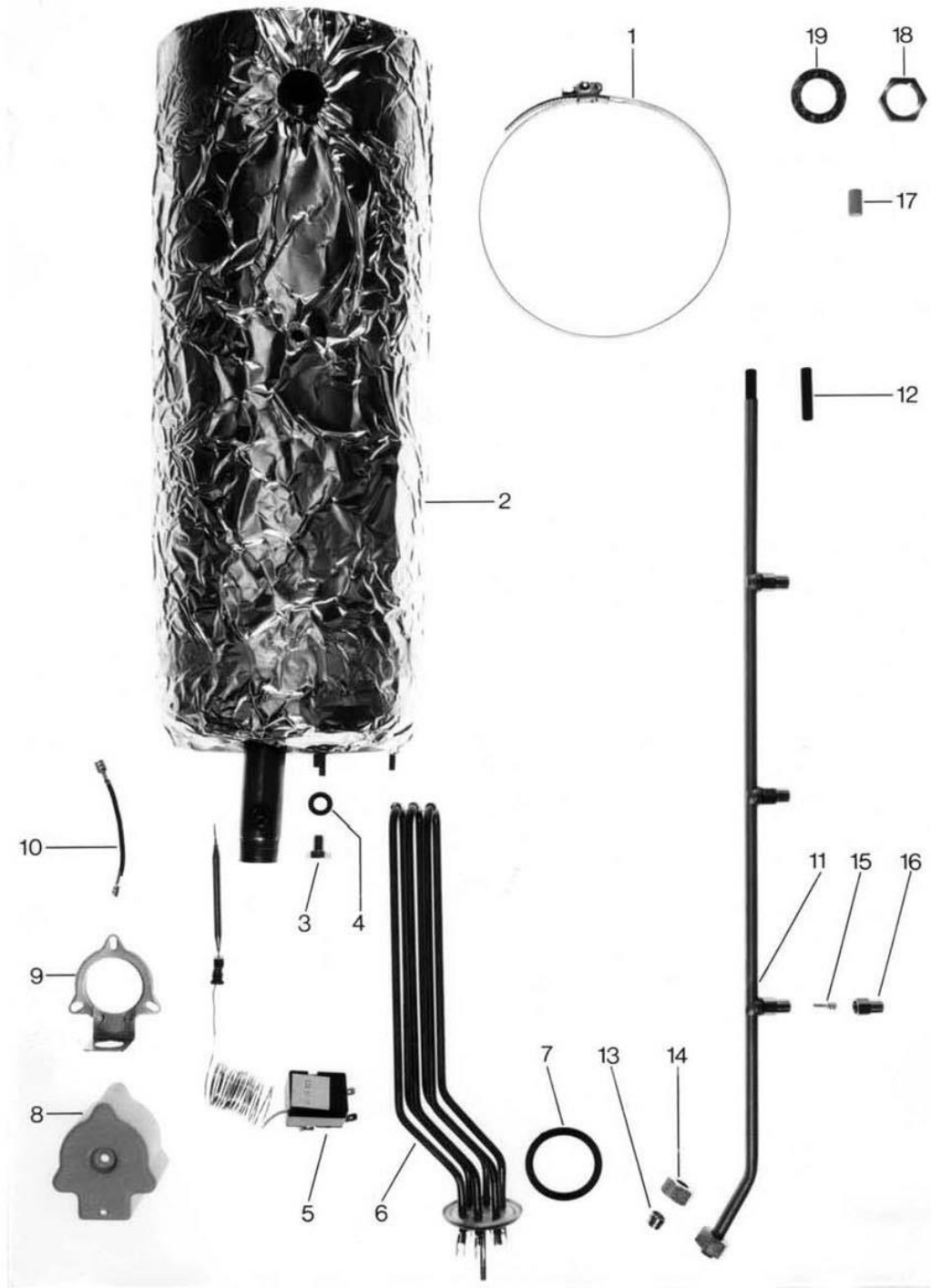
GR 1320

Waschsystem oben mit Umschalteneinrichtung
Top wash system with reversing lever
Système de lavage supérieur avec levier de renversement



GR 1320

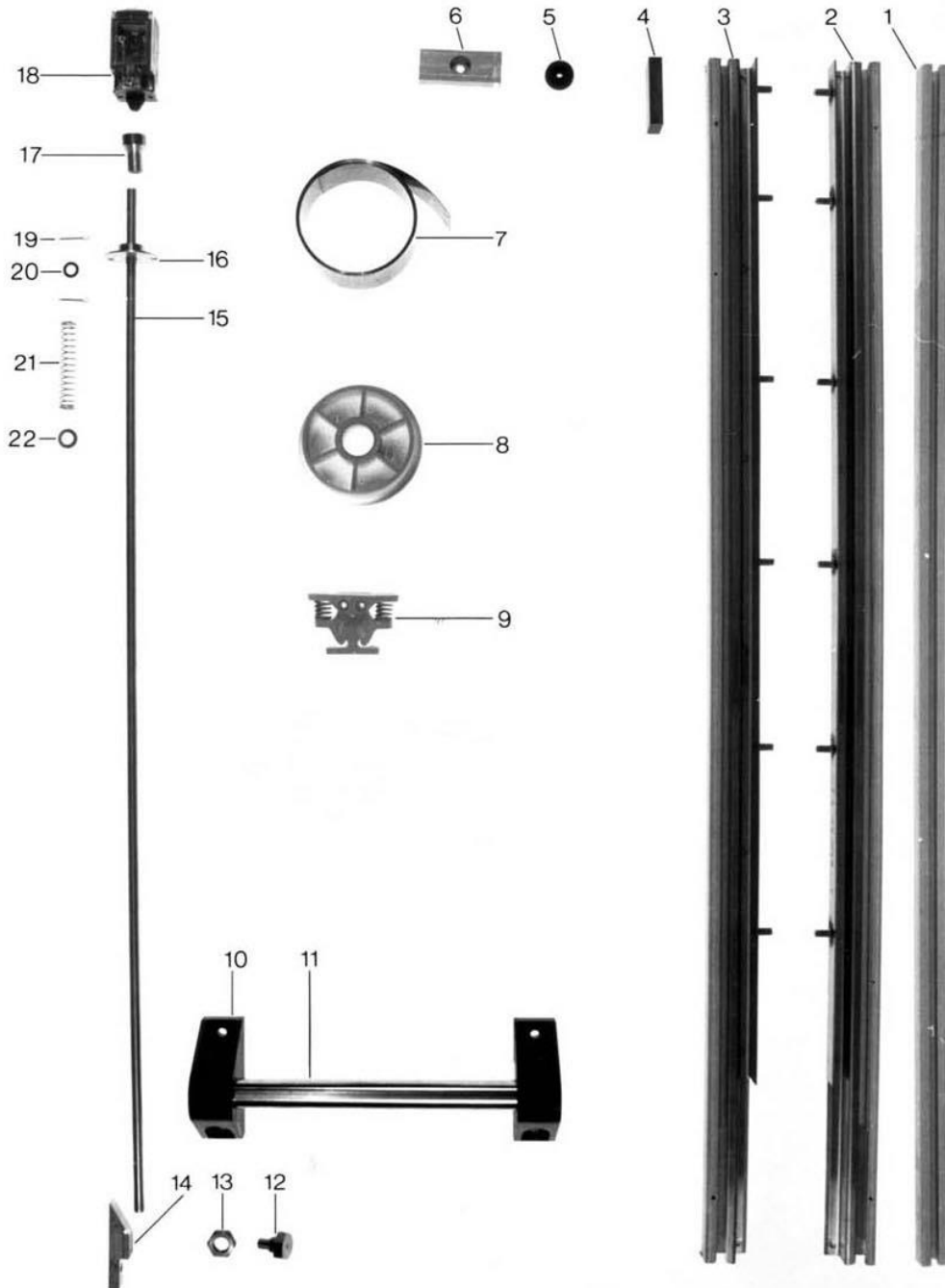
Nachspülsystem Rinse system Système de rinçage



GR 1320 - Rinsing

Pos.	Designation	Part no.	Notes
1	Hose clip D50-215 x 12	28 02 126	for fixing boiler
2	Boiler 6 kW	55 12 035	without heating element
3	Blanking cap M 10 x 6	20 01 352	
4	Seal \varnothing 18 x \varnothing 10 x 1,5	27 03 003	
5	Capillary tube control 1750 lg.	31 25 013	
6	Heating element 6 kW 220/380 V	31 03 017	for boiler
n.p.	Heating element 6 kW 240/420 V	31 03 043	
n.p.	Heating element 9 kW 220/380 V 50 Hz	31 03 018	
n.p.	Heating element 9 kW 240/420 V 50 Hz	31 03 057	
7	O-ring \varnothing 46 x 6	27 07 069	
8	Covering cap	31 03 014	
9	Clamping ring with angle	55 19 018	
10	Link wire	31 23 088	
11	Rinse pipe cpl. 655 lg.	65002781	6 x
n.p.	Rinse pipe cpl. 545 lg.	65002783	only top middle (on account of spring)1 x
12	Grub-screw M 9 x 40	20 30 502	
13	Cutting ring \varnothing 10	29 07 303	spare parts of rinse pipe
14	Coupling nut 3/8" BSP	29 07 200	
15	Swirl	65002764	
16	Cap	65002765	
17	Grub-screw M 11 x 1 x 20 lg.	20 30 503	as end of rinse manifold
18	Locking nut 3/4" BSP x 5	61002626	for fixing rinse manifold
19	Seal \varnothing 27 x \varnothing 42 x 2	27 09 003	
n.p.	Rinse manifold	65000641	
n.p.	Rinse connection	65 000256	

GR 1320
Hubtüre
Lifting door
Porte de levage



GR 1320 - Lifting door

Pos.	Designation	Part no.	Notes
n.p.	Lifting door	55 15 125	Part made to order only!
1	Sliding bar 1115 lg.	35 04 037	
2	Door guide right	55 15 126	with sliding rail, Part made to order only!
3	Door guide left	55 15 127	with sliding rail Part made to order only!
4	Block	55 15 124	for sealing sliding rail top Part made to order only!
5	Rubber buffer	40 06 007	as door stop
6	Cover for door	35 01 162	abrasion protection for spring
7	Roller spring 0,75 thick	28 04 024	2 x
8	Pulley ø 90 x 24	35 01 160	
9	Door stop	55 15 128	
10	Bearer for door handle	35 01 163	
11	Pipe ø 22 x 1,5 x 235 lg.	65000424	for door handle
12	Door bolt M 12 x 1	20 19 304	
13	Hexagon nut M 12	21 09 300	
14	Stopping wedge	55 15 130	
15	Limit switch rod	55 15 117	Part made to order only!
16	Bearing for limit switch rod	55 15 129	
17	Trip cams ø 18 x 27 lg.	28 14 204	
18	Limit switch	31 24 216	
19	Split ring ø 2 x 15	23 15 300	
20	O-ring ø 8 x 2,5	27 07 013	
21	Pressure spring	28 04 011	
22	Washer ø 8,4	22 01 303	
n.p.	Feeding flap	65 000408	
n.p.	Bearing to feeding flap	55 15 156	

GR 1320

Elektroteile Electrical parts Matériel électrique

